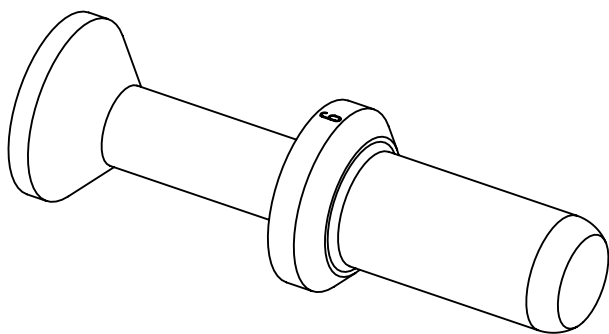



assembly notes see catalog
 crimp zone acc. to DIN EN 46235, indicator 6
 for stranded fine wire acc. to VDE 0295 class5/ IEC 60228 class 5
 wire gauge: 10mm²
 stripping length: 19mm



	All rights reserved Department EL PD	All Dimensions in mm Original Size DIN A4		Scale 2:1	Free size tol.	Ref.
		HARTING D-32339 Espelkamp	Created by HELLMANN	Inspected by NICHTERLEIN	Standardisation SAP_WFRT	Date 2022-10-11
Title Han TC100 male contact 10mm ²						Doc-Key / ECM-Nr. 100176611/UGD/007/B 500000223389
Type TB				Number 09 11 000 6114		Rev. B
						Page 1/1